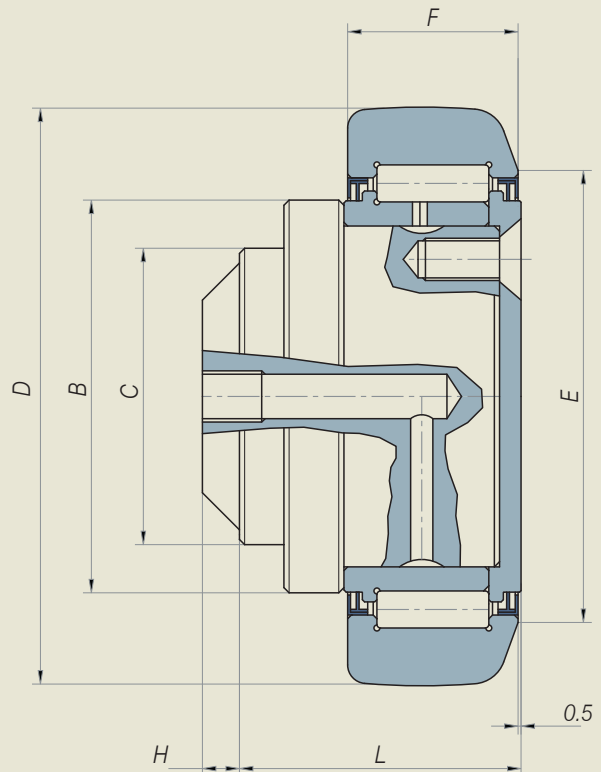


RADIAL BEARINGS WITH PIVOT

The radial bearings with pivot keep the same structural features as the combined bearings.

In this case there is no axial guide inside the bearing.

For this reason these bearings are used in application fields where it is not necessary to bear differentiated loads.



IN STOCK ITEM

Part Number	C	B	D	L	F	H	E	C	C ₀	PROFILE
	mm	mm	mm	mm	mm	mm	mm	KN	KN	
RP2.0856-62*	25	42	62	23,5	20	7	50	31	35,5	2890
RP2.0363-62	30	42	62	29,5	20	7	50	31	35,5	2890
RP2.0360-70	35	48	70,1	33,5	23	8,2	57	45,5	51	2867
RP2.0361-78	40	53	78,1	32	23	11	61	48	56,8	2810
RP2.0448-88	45	59	88,9	41	30	13	68	68	72	2811
RP2.1641-108*	55	69	107,7	35	31	14	82	81	95	3100
RP2.1641-1	60	69	107,7	50,5	31	14	82	81	95	2862
RP2.1642-123	60	79	123	51,5	37	16,3	92	110	132	2891
RP2.1643-149	60	103	149	54	43	20	116	151	192	2757

*Special Order Only

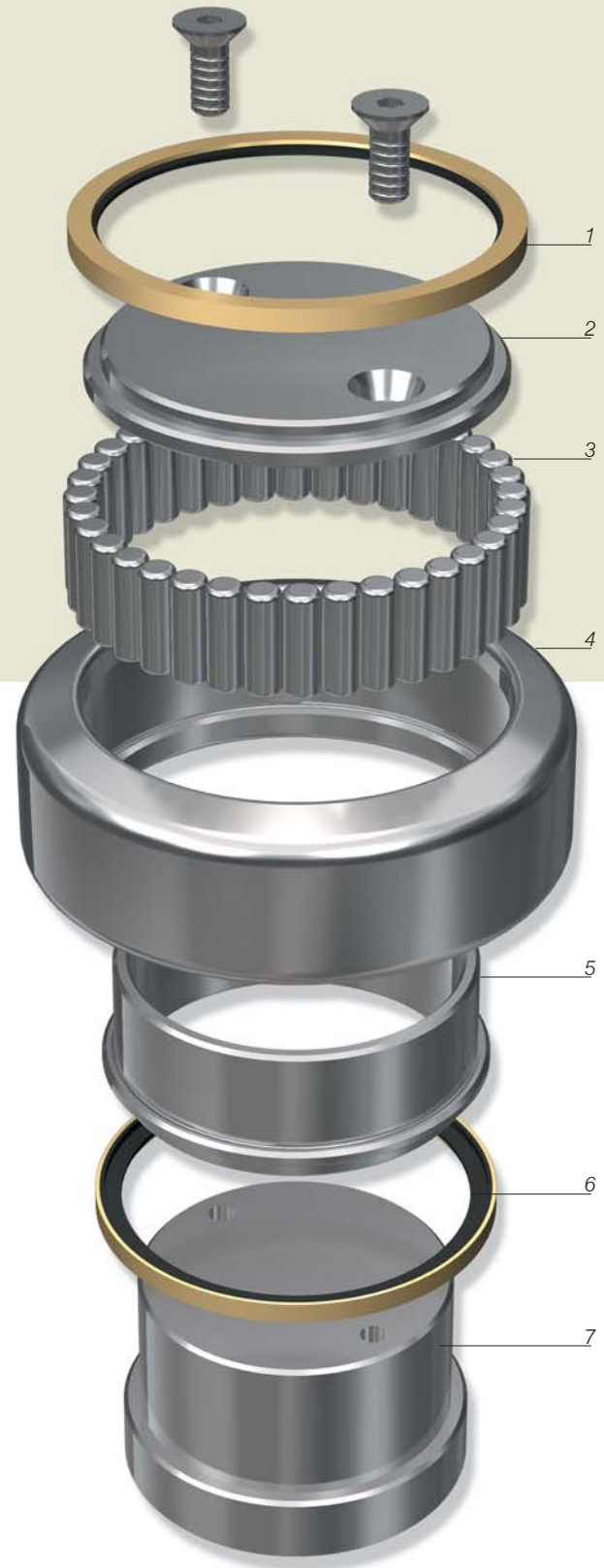
THE BEARINGS HAVE ZRS SEALS.

C : Dynamic load C₀ : Static load

RP2.0856-62 AND RP2.0363-62 are not regreaseable. They are supplied as "LUBE-FOR-LIFE".

RADIAL BEARINGS WITH PIVOT

-
1. ZRS SEAL RING
 2. SUPPORT THRUST RING
 3. CYLINDRICAL ROLLERS
 4. OUTER RING
 5. INNER RING
 6. ZRS SEAL RING
 7. PIVOT
-



The radial bearings with pivot have the following technical features:

- The outer ring is manufactured in 20CrMnTi cementation steel. This kind of steel can guarantee a very high resistance to stress and can assure a strong resistance against shocks. The surface hardness is 60-2 HRC.
- The inner ring is manufactured in core hardened 100Cr6. The core hardening guarantees a high resistance to wearing and to fatigue. The hardness is 60-2 HRC.
- ZRS seal system prevents outer agents, such as dust, wet and mill scale, to enter the inner part of the bearing, and at the same time it prevents the leakage of lubrication grease.
- Also the side thrust ring is manufactured in cementation steel.
- The central pivot is manufactured in low C20/C45 carbon steel. This kind of material guarantees a good resistance and a perfect welding.