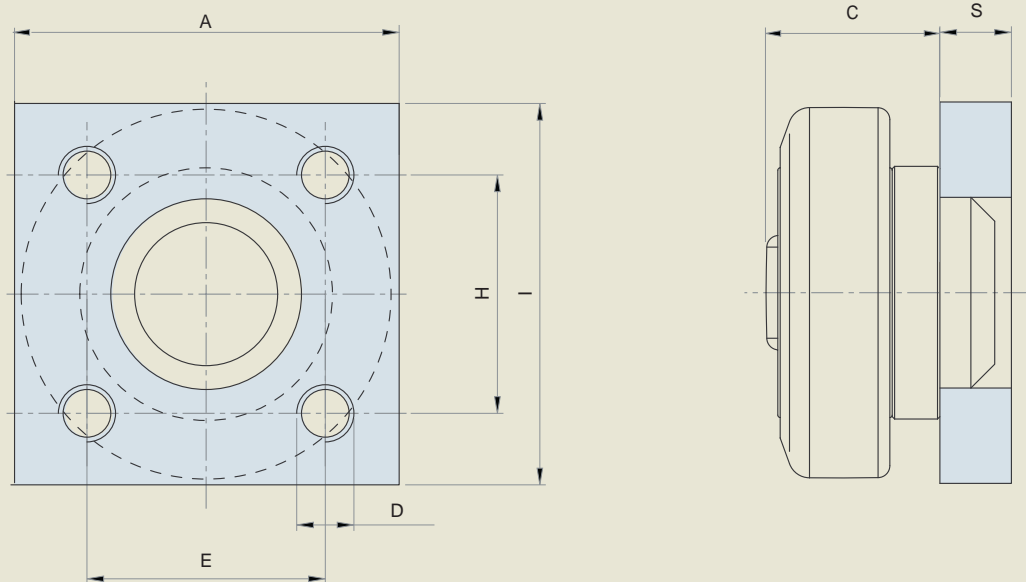


# SQUARE METRIC FLANGE WELDMENTS FOR U-PROFILES

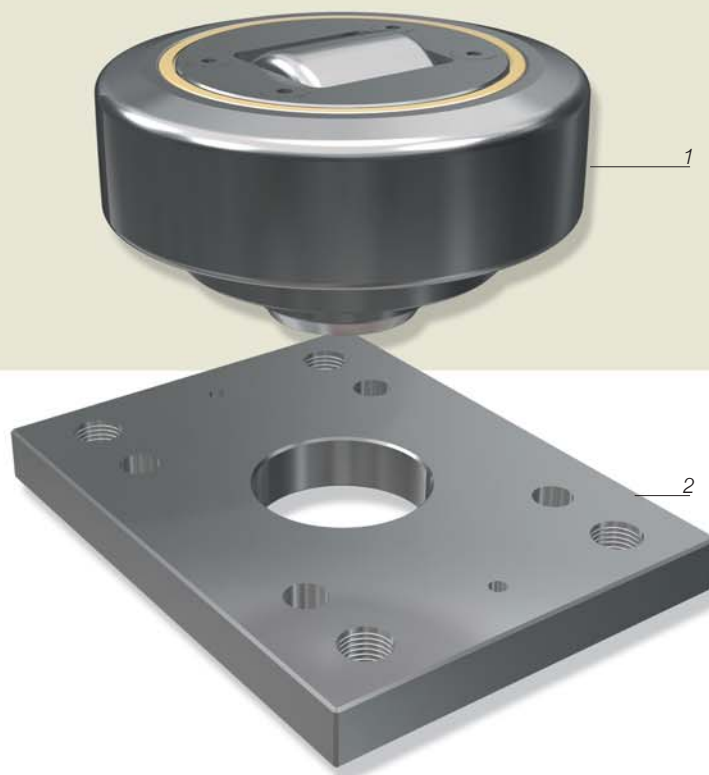


## IN STOCK ITEM

Part Number	Bearing Number	Plate Number	A mm	C mm	D mm	E mm	H mm	I mm	S mm	PROFILE
FW20SM-4054	CF4.054-62	PL20SM	100	30.5	M10	40	40	60	10	2890
FW30SM-4055	CF4.055-70	PL30SM	120	36	M12	50	50	80	15	2867
FW40SM-4056	CF4.056-78	PL40SM	120	36.5	M12	50	50	80	15	2810
FW50SM-4058	CF4.058-88	PL50SM	160	44	M16	60	60	100	20	2811
FW60SM-4061	CF4.061-108	PL60SM	180	55	M16	80	80	120	20	2862
FW60SM-4062	CF4.062-123	PL60SM	180	56	M16	80	80	120	20	2891
FW70SM-4063	CF4.063-149	PL70SM	200	58.8	M16	100	100	150	20	2757

# SQUARE METRIC FLANGE WELDMENTS FOR U-PROFILES

- 
1. *COMBINATION BEARING*
  2. *FLANGEPLATE*
- 



Flange weldments allow "weld-free" bearing installation at the jobsite. They are shipped with the bearing pre-welded to the plate and become a "bolt-on" adder for your handling unit. Flange weldments then allow for easy adjustment by simply loosening the attaching bolts and slipping a shim set behind the plate and re-tightening. Shims are available in 1.0mm and 0.5mm thicknesses.

Shim part numbers are as follows:

Plate 1.0mm/0.5mm

PL20M T100017/18

PL30M T100019/20

PL40M T100019/20

PL50M T100023/24

PL60M T100025/26

PL70M T100027/28

Shims are ordered as a 'set' which includes two shims - enough for one plate.