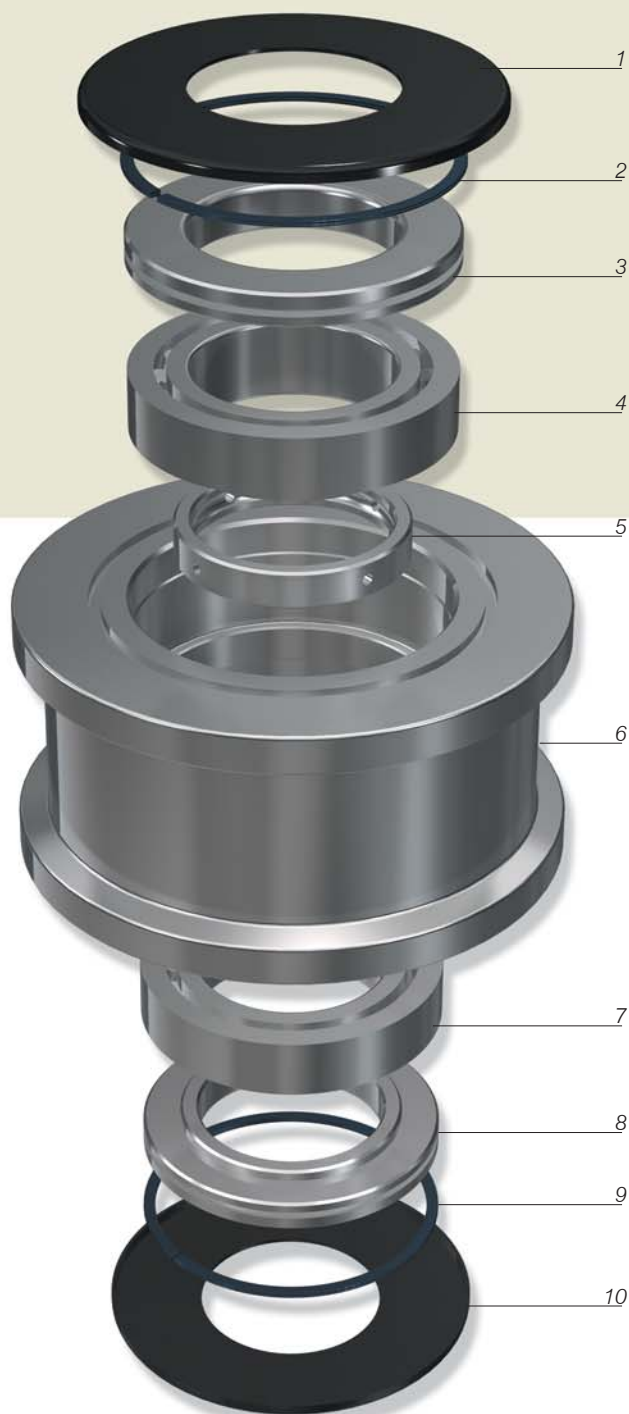




TAPERED ROLLERS FOR CONVEYOR BELTS

-
1. SEAL SHEET
 2. FEY SEAL RING
 3. SUPPORT THRUST RING
 4. TAPERED ROLLER BEARING
 5. DISTANCE RING
 6. OUTER RING
 7. TAPERED ROLLER BEARING
 8. SUPPORT THRUST RING
 9. FEY SEAL RING
 10. SEAL SHEET
-



Tapered rollers for conveyor belts have the following characteristics:

- The outer ring is usually supplied in cementation steel UNI 16NiCr4 and reaches hardness degree of 60-2 HRC. The profile of the outer ring is available in three different styles:
 - 1) ring with double guide shoulder on the outer surface,
 - 2) ring with outer surface without shoulders;
 - 3) ring with one guide shoulder on the outer surface.
- The rollers have a double protection system, which is made of steel shields and steel elastic layered steel.
- Grease lubrication is made through a groove on the inner distance ring.