

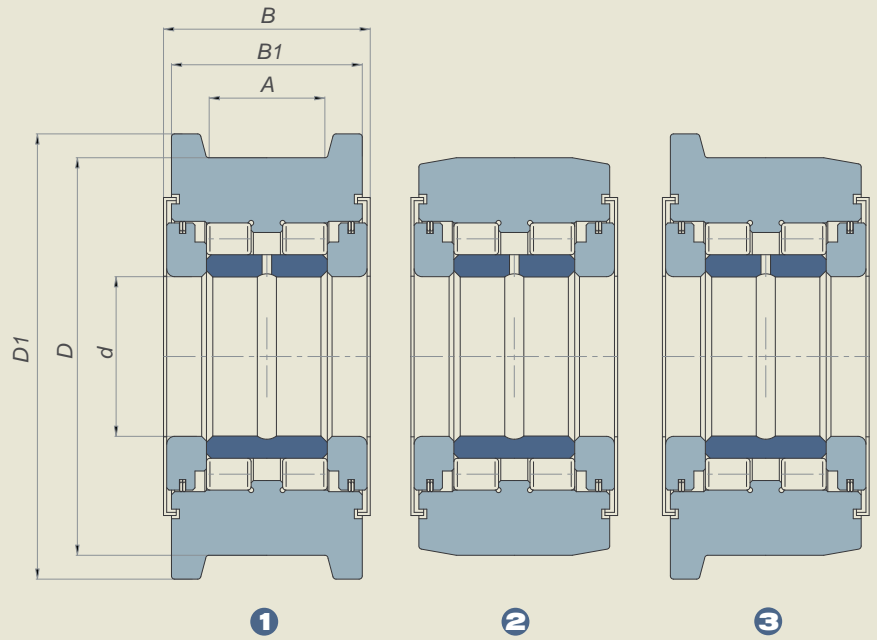
CYLINDRICAL ROLLERS FOR CONVEYOR BELTS



Full-complement cylindrical rollers for conveyor belts are mainly used as support bearings in conveyor belts for coils. This design, with cylindrical rollers, is generally used with high radial loads, as this can absorb distortions and dilatations.

In comparison with the tapered roller design, this style is better suited for applications near high heat sources.

The complete shoulder found on the outer ring allows for the absorption of average axial thrusts.



Part #.	d	D	D ₁	A	B ₁	B	C	C ₀	Max speed
	mm	mm	mm	mm	mm	mm	KN	KN	RPM min ⁻¹
900-1947 / A	50	125	140	40	60	65	128	133	1.100
900-1947 / B	60	150	170	50	70	75	195	214	900
900-1947 / C	70	165	190	55	75	80	228	246	700
900-1947 / D	80	185	210	60	80	85	283	319	550
900-1947 / E	100	215	250	65	85	90	356	411	400
900-1947 / F	120	255	290	70	95	100	472	581	300

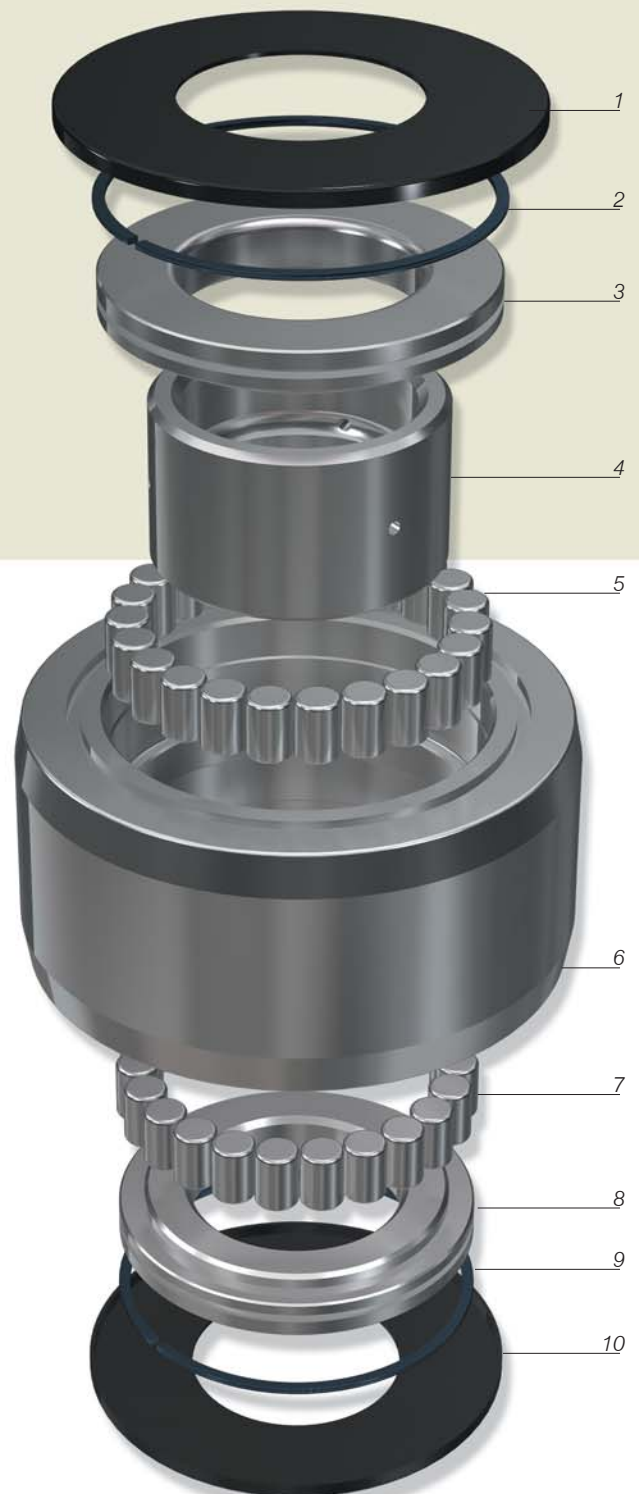
C Dynamic load C₀ Static load



CYLINDRICAL ROLLERS FOR CONVEYOR BELTS



-
1. SEAL SHEET
 2. FEY SEAL RING
 3. SUPPORT THRUST RING
 4. INNER RING
 5. CYLINDRICAL ROLLERS
 6. OUTER RING
 7. CYLINDRICAL ROLLERS
 8. SUPPORT THRUST RING
 9. FEY SEAL RING
 10. SEAL SHEET
-



Full-complement cylindrical rollers have the following technical characteristics:

- The outer ring is usually manufactured in cementation UNI 16NiCr4 steel and reaches hardness degree of 60-2 HRC. The profile of the outer ring is available in three different styles: 1) ring with double guide shoulder on the outer surface; 2) ring with outer surface without shoulders; 3) ring with one guide shoulder on the outer surface.
- The inner ring is manufactured in case hardened UNI 100Cr6 steel with maximum hardness degree 60-2 HRC.
- Protection system has steel shields made with elastic layered steel rings.
- Grease lubrication is made through a groove on the inner distance ring.
- Considering the application of the cylindrical rollers, C.R. can supply execution with radial clearance C3/C4 and stabilizing heat treatment up to 250° C, on request.