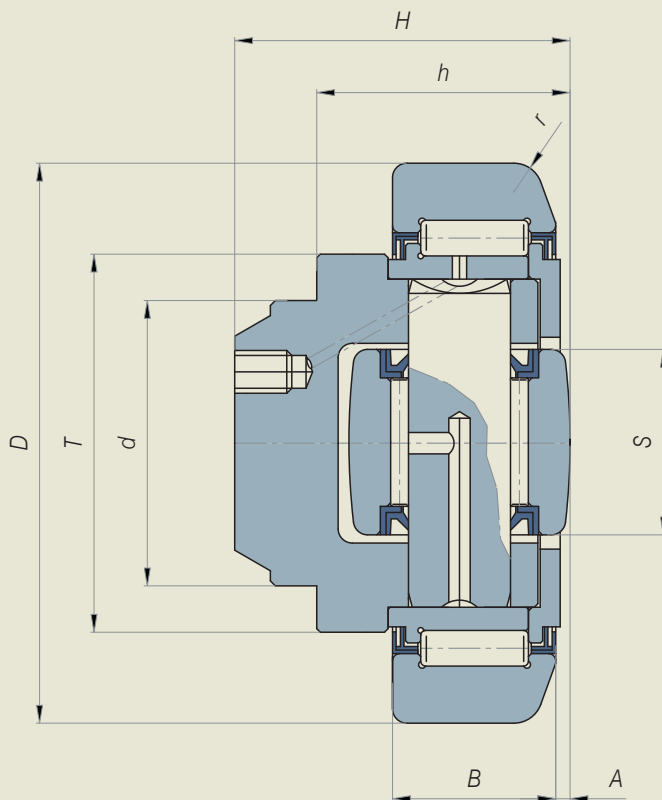


# STANDARD COMBINATION BEARINGS

Standard combination bearings are particularly suitable to be used in forklift masts and in any other moving and handling system, where rolled or extruded profiles are used.

The best combination axial part/radial part allows to get high load capacity with extremely small dimensions of the bearing, in addition to simplicity of assembling on any kind of structure.



## IN STOCK ITEM

Part Number	d mm	T mm	D mm	H mm	h mm	B mm	A mm	S mm	r mm	C KN	C <sub>0</sub> KN	C <sub>a</sub> KN	C <sub>0a</sub> KN	PROFILE
CF4.053-53	30	40	52.5	33	27	17	5	15	2	24	32	7	7	53U
CF4.054-62	30	42	62	37.5	30.5	20	2.5	20	3	31	35.5	11.1	11.5	2890
CF4.055-70	35	48	70.1	44	36	23	2.5	22	4	45.5	51	14	13	2867
CF4.056-78	40	53	77.7	48	36.5	23	3	24	4	48	56.8	18	18	2810
CF4.058-88	45	59	88.4	57	44	30	3.5	26	3	68	72	23	23	2811
CF4.061-108	60	71	107.7	69	55	31	4	34	5	81	95	31	36	2862
CF4.062-123	60	80	123	72.3	56	37	5	40	5	110	132	43	50	2891
CF4.063-149	60	108	149	78.5	58.5	45	5.5	50	3	151	192	68	71	2757
CF4.011-149	60	108	149	86	67	45	5.5	50	3	151	192	68	71	2757

THE BEARINGS HAVE ZRS SEALS.

C : Dynamic load

C<sub>0</sub> : Static load

C<sub>a</sub> : Dynamic axial load

C<sub>0a</sub> : Static axial load

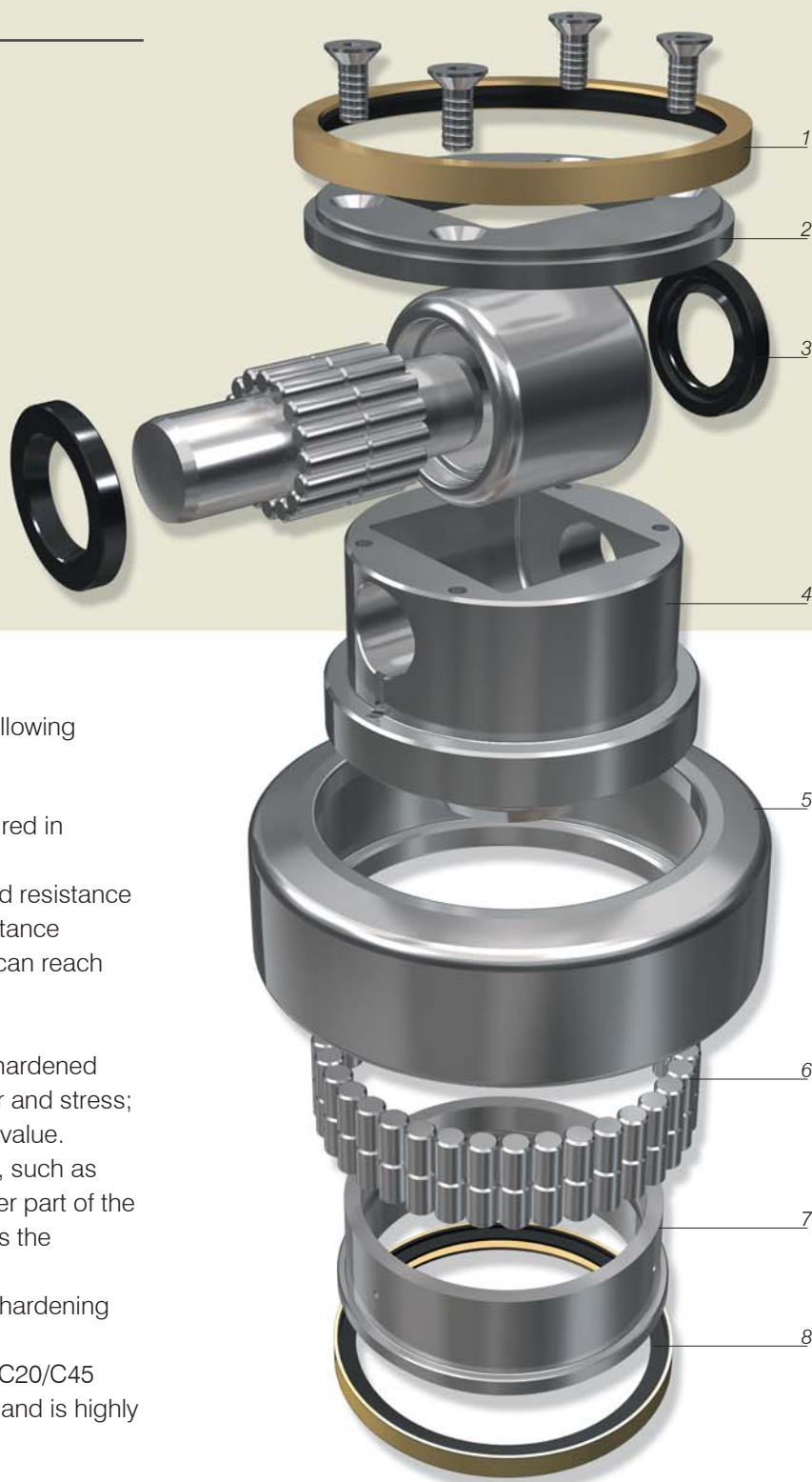
CF4.053-53 and CF4.054-62 are not regreaseable. They are supplied as "LUBE-FOR-LIFE".

www.tecom.com



# STANDARD COMBINATION BEARINGS

- 
1. ZRS SEAL RING
  2. SUPPORT THRUST RING
  3. AXIAL PART
  4. PIVOT
  5. OUTER RING
  6. CYLINDRICAL ROLLERS
  7. INNER RING
  8. ZRS SEAL RING
- 



Standard combination bearings have the following technical characteristics:

- Outer ring and axial roller are manufactured in case-hardening steel type 20CrMnTi. This kind of steel guarantees a very good resistance to stress, and assures a very good resistance against impacts. The surface hardness can reach 60-2 HRC for both of them.
- Inner ring and pin are manufactured in core-hardened 100 Cr6 steel. The total-hardened steel guarantees high resistance to wear and stress; both of them reach 60-2 HRC hardness value.
- ZRS seal system, prevents outer agents, such as dust, wet and mill scale, to enter the inner part of the bearing, and at the same time it prevents the leakage of lubrication grease.
- The lateral thrust cover is made in case-hardening steel as well.
- The central pivot is made in low carbon C20/C45 steel, which guarantees high resistance and is highly suitable for welding.