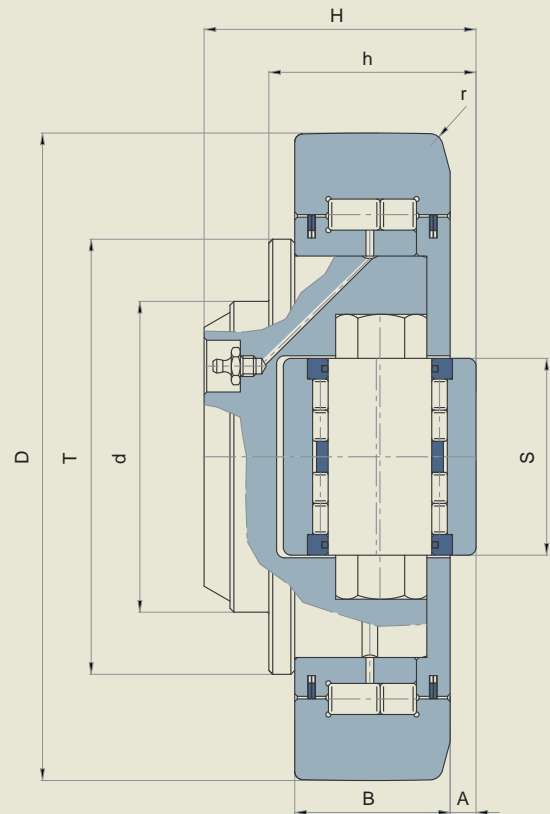


"JUMBO" ADJUSTABLE COMBINATION BEARINGS

The Jumbo adjustable combination bearings represent a special range both for dimensions and technical features.

They are used both for large fork lift masts and for industrial applications in the shipping, aerospace and steel industries.

High load capacity and a limited width represent the fundamental features of this bearing.



IN STOCK ITEM

Part Number	d	T	D	H	h min.	h max.	B	A	S	r	C	C ₀	C _a	C _{0a}	PROFILE
	mm	mm	mm	mm	mm	mm	mm	mm	mm	mm	KN	KN	KN	KN	
4.089	80	113	165	69	53	56	40	5	50	3	213	388	85	133	FM 165
4.090	100	124	190	84,5	64,5	67,5	48	6,5	60	4	266	500	100	180	FM 190
4.091	110	146	220	94,5	74,5	77,5	58	6,5	75	5	326	681	138	257	FM 220
4.092	120	168	250	102	77	80	60	7	75	5	369	748	138	257	FM 250
4.093*	150	188	280	119,5	89,5	93,5	72	7,5	90	5	489	1066	182	488	FM 280
4.094*	140	218	320	135	110	114	85	10	90	8	542	1370	210	422	N/A

*Special Order Only

THE BEARINGS HAVE 2ZL SEALS.

C : Dynamic load

C₀ : Static load

C_a : Dynamic axial load

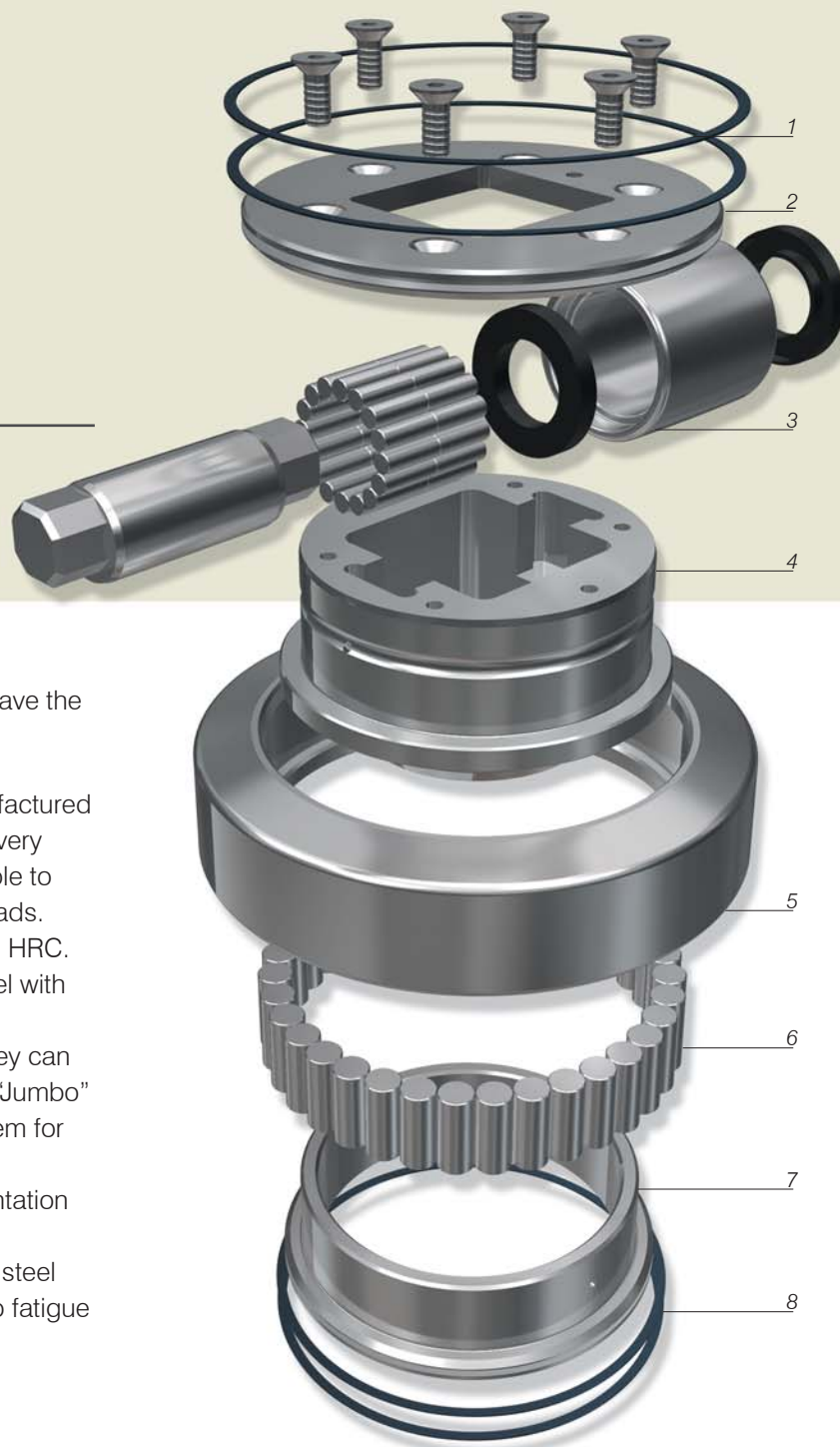
C_{0a} : Static axial load

The adjusting of dimension "H" is possible through the rotation of the axial pivot.

The bearings are supplied with lubrication holes.

"JUMBO" ADJUSTABLE COMBINATION BEARINGS

-
1. FEY SEAL RING
 2. SUPPORT THRUST RING
 3. AXIAL PART
 4. PIVOT
 5. OUTER RING
 6. CYLINDRICAL ROLLERS
 7. INNER RING
 8. FEY SEAL RING
-



The "Jumbo" adjustable combination bearings have the following features:

- Outer ring, axial roller and axial pin are manufactured in 16CrNi4 steel . This kind of material has a very high core resistance and is particularly suitable to endure shocks and to support the applied loads. These components reach a hardness of 60-2 HRC.
- The inner ring is manufactured in 100Cr6 steel with hardness 60+2 HRC.
- They are normally supplied with ZZ seals. They can also be supplied with 2RS seals on request. "Jumbo" bearings are provided with a lubrication system for the radial part.
- Also the thrust ring is manufactured in cementation steel.
- The central pivot is manufactured in 16CrNi4 steel which guarantees the maximum resistance to fatigue and is good for welding.