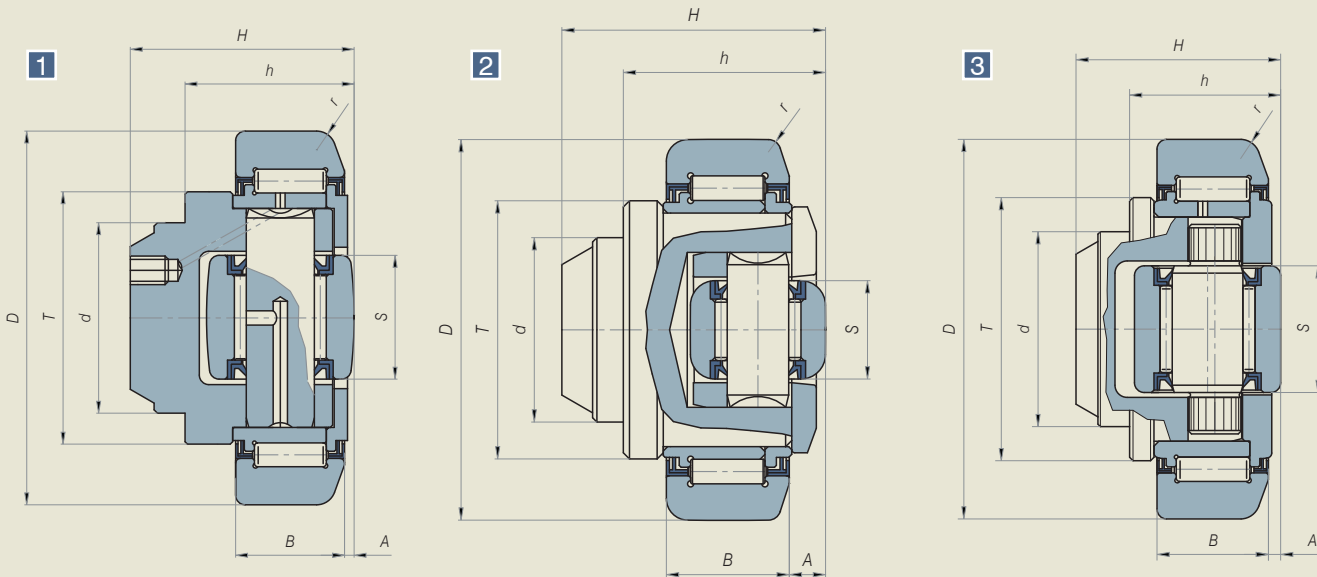


COMBINATION BEARINGS FOR "I" PROFILE RAILS



The combination bearings for I profiles keep the standard features. They were designed for use in the manufacture of fort lift masts.

***IN STOCK ITEM**
****SPECIAL ORDER ITEM**

Part Number	d	T	D	H	h	B	A	S	r	C	C _o	C _a	C _{oa}	PROFILE	Ref.
	mm	mm	mm	mm	mm	mm	mm	mm	mm	KN	KN	KN	KN		
CF4.055-40*	35	48	70.1	40	30.5	23	2.5	22	4	45,5	51	14	13	3018	1
CF4.057-78**	40	53	77.7	40.7	29	23	3	26	4	48	56.8	18	18	3019	1
CR4.075-78**	40	53	77.7	45	34	23	7	21	4	48	56.8	14	14	3019	2
CF4.058-49*	45	59	88.4	52	39	30	3.5	26	3	68	72	23	23	3020	1
CF4.059-101*	50	67	101.2	46	33	28	3	30	3	73	82	25	27	3440	1
CR4.077-101**	50	67	101.2	50.5	37.5	28	7	21	3	73	82	18	19	3440	2
CF4.060-108*	55	71	107.7	53	39	31	3	34	5	81	95	31	36	3100	1
CR4.078-108*	55	71	107.7	58.5	44.5	31	8	33	5	81	95	31	36	3100	2
CR4.259**	55	76	123.5	57	42	33	4.5	33	5	114	194	40	48	3353	2

THE BEARINGS HAVE ZRS SEALS.

C : Dynamic load

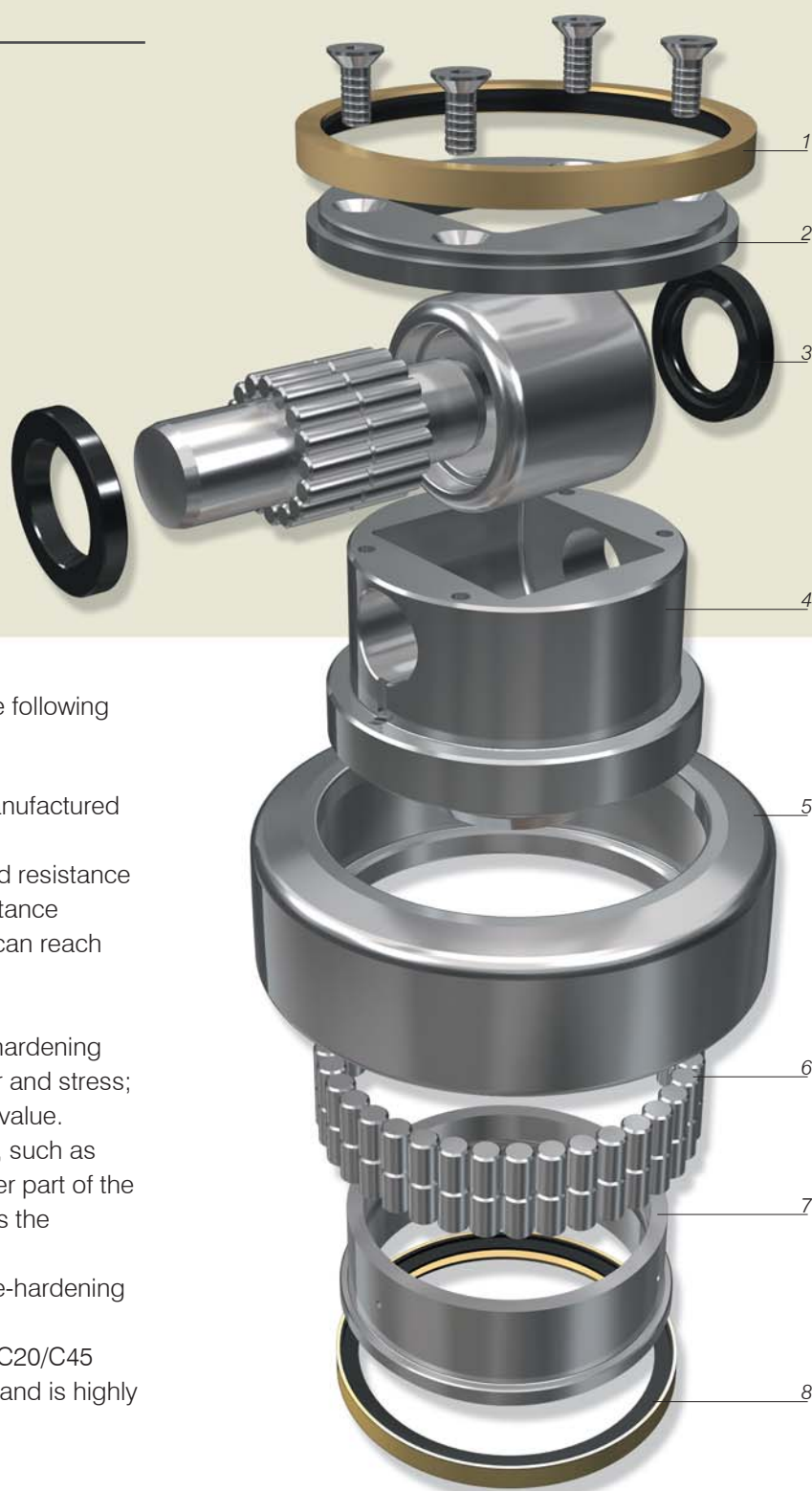
C_o : Static load

C_a : Dynamic axial load

C_{oa} : Static axial load

COMBINATION BEARINGS FOR "I" PROFILE RAILS

-
1. ZRS SEAL RING
 2. SUPPORT THRUST RING
 3. AXIAL PART
 4. PIVOT
 5. OUTER RING
 6. CYLINDRICAL ROLLERS
 7. INNER RING
 8. ZRS SEAL RING
-



Combination bearings for I-Profiles have the following technical characteristics:

- The outer ring and the axial roller are manufactured in case-hardening steel type 20CrMnTi. This kind of steel guarantees a very good resistance to stress, and assures a very good resistance against impacts. The surface hardness can reach 60-2 HRC for both of them.
- Inner ring and pin are manufactured in core-hardened 100 Cr6 steel. The total-hardening steel guarantees high resistance to wear and stress; both of them reach 60-2 HRC hardness value.
- ZRS seal system, prevents outer agents, such as dust, wet and mill scale, to enter the inner part of the bearing, and at the same time it prevents the leakage of lubrication grease.
- The thrust cover is manufactured in case-hardening steel as well.
- The central pivot is made in low carbon C20/C45 steel, which guarantees high resistance and is highly suitable for welding.