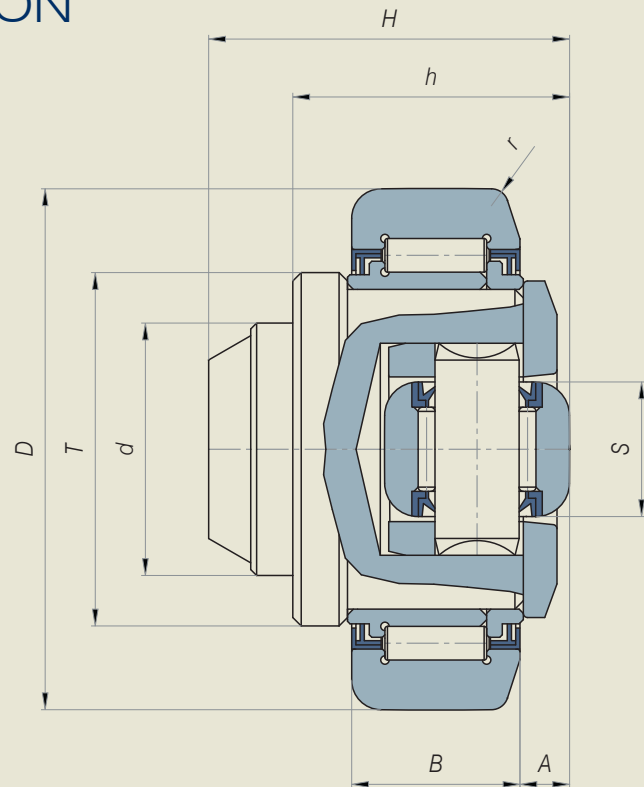


ADJUSTABLE COMBINATION BEARINGS

Adjustable combination bearings have the same characteristics as fixed combination bearings.

The only difference is the option to adjust the distance between the bearing and profile through the use of washers.



IN STOCK ITEM

Part Number	d	T	D	H	h	B	A	S	r	C	C ₀	C _a	C _{0a}	PROFILE
	mm	mm	mm	mm	mm	mm	mm	mm	mm	KN	KN	KN	KN	
CR4.072-62	30	42	62	43	33	20	5.5	16	3	31	35.5	8	8	2890
CF4.073-70	35	48	70.1	48	40	23	6.5	16	4	45.5	51	14	14	2867
CR4.074-78	40	53	77.7	51	39.5	23	7	21	4	48	56.8	14	14	2810
CR4.076-88	45	59	88.4	61	48	30	7	21	3	68	72	15	15	2811
CR4.078/L	60	71	107.7	73	59	31	8	33	5	81	95	31	36	2862
CR4.079-123	60	80	123	75.8	59.5	37	8	33	5	110	132	31	36	2891
CR4.080-149	60	103	149	89	69	45	15	50	5	151	192	68	71	2757

THE BEARINGS HAVE ZRS SEAL.

C: Dynamic load

C₀: Static load

C_a: Dynamic axial load

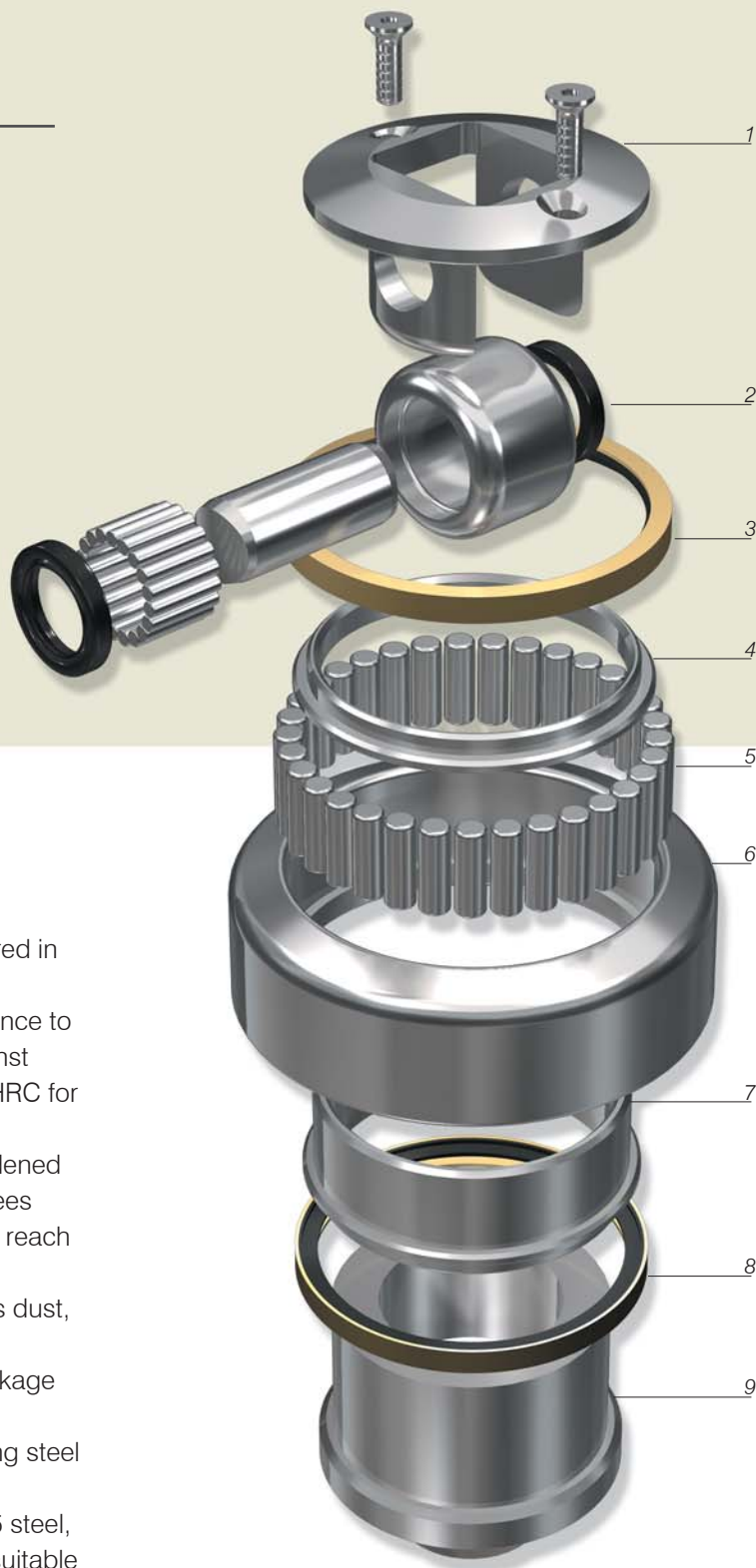
C_{0a}: Static axial load

The adjusting of dimension "A" is made through washer rings put between the main support roll and the support roll of the lateral guide bearing. Adjusting washers are available in 0.5 mm and 1 mm thicknesses.



ADJUSTABLE COMBINATION BEARINGS

-
1. SUPPORT
 2. AXIAL PART
 3. ZRS SEAL RING
 4. SUPPORT THRUST RING
 5. CYLINDRICAL ROLLERS
 6. OUTER RING
 7. INNER RING
 8. ZRS SEAL RING
 9. PIVOT
-



Adjustable combination bearings have the following technical characteristics:

- The outer ring and the axial roller are manufactured in case-hardening steel type 20CrMnTi. This kind of steel guarantees a very good resistance to stress, and assures a very good resistance against impacts. The surface hardness can reach 60-2 HRC for both of them.
- Inner ring and pin are manufactured in core-hardened 100 Cr6 steel. The total-hardening steel guarantees high resistance to wear and stress; both of them reach 60-2 HRC hardness value.
- ZRS seal system, prevents outer agents, such as dust, wet and mill scale, to enter the inner part of the bearing, and at the same time it prevents the leakage of lubrication grease.
- The lateral thrust cover is made in case-hardening steel as well.
- The central pivot is made in low carbon C20/C45 steel, which guarantees high resistance and is highly suitable for welding.
- The support roll, which allows the adjusting of the axial clearance between profile and bearing through washers of 0.5 and 1.0 mm, is manufactured in 20 CrMo steel.