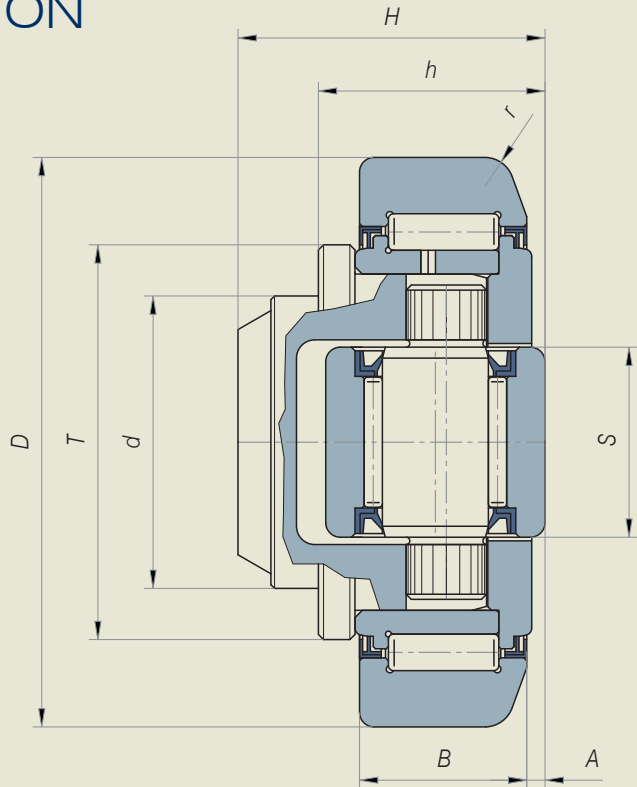


ADJUSTABLE COMBINATION BEARINGS WITH ECCENTRIC PIN

Adjustable combination bearings, with eccentric pin, have the same characteristics as adjustable combined bearings.

In this case, the adjusting of the distance is made through the rotation of the whole axial part (pin and axial roller) in the central pivot.



IN STOCK ITEM

Part Number	d	T	D	H	$h_{min.}$	$h_{max.}$	B	A	S	r	C	C_0	C_a	C_{0a}	PROFILE
	mm	mm	mm	mm	mm	mm	mm	mm	mm	mm	KN	KN	KN	KN	
4.454	30	42	62	37.5	30.5	32	20	4	20	3	31	35.5	16	25	2890
4.455	35	48	70.1	44	36	37.5	23	4	20	4	45.5	51	16	25	2867
4.456	40	54	77.7	48	37	38.5	23	3.5	26	4	48	56.8	23	36	2810
4.457	40	54	78.3	40	29	30.5	23	3.5	26	4	48	56.8	23	36	3019
4.458	45	59	88.4	57	44	45.5	30	4	26	4	68	72	23	36	2811
4.459	50	69	101.6	46	33	35	26	4.5	30	3	71	84	32	50	3440
4.460	55	69	108.5	54	40	42	31	4	30	5	81	95	32	50	3100
4.461	60	69	107.7	69	55	57	31	4	30	5	81	95	32	50	2862
4.462	60	80	123	72.3	56	60	37	4.5	34	5	110	132	41	72	2891
4.463	60	108	149	78.5	58.5	62.5	45	6	34	3	151	192	41	72	2757

THE BEARINGS HAVE ZRS SEALS.

C : Dynamic load

C_0 : Static load

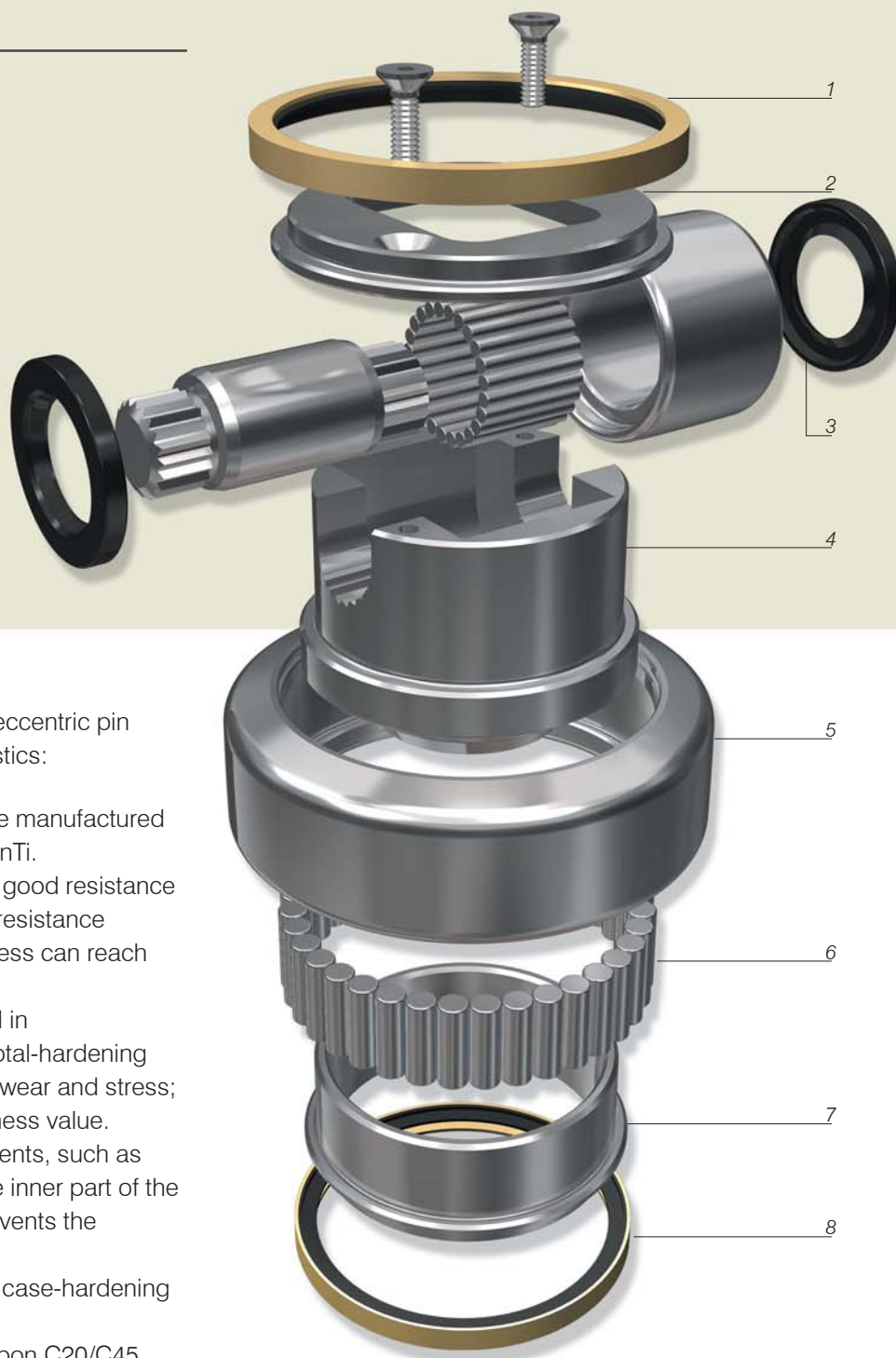
C_a : Dynamic axial load

C_{0a} : Static axial load

The adjusting of dimension "A" can be made through the rotation of the axial pivot.

ADJUSTABLE COMBINATION BEARINGS WITH ECCENTRIC PIN

1. ZRS SEAL RING
2. SUPPORT THRUST RING
3. AXIAL PART
4. PIVOT
5. OUTER RING
6. CYLINDRICAL ROLLERS
7. INNER RING
8. ZRS SEAL RING



Adjustable combination bearings with eccentric pin have the following technical characteristics:

- The outer ring and the axial roller are manufactured in case-hardening steel type 20CrMnTi. This kind of steel guarantees a very good resistance to stress, and assures a very good resistance against impacts. The surface hardness can reach 60-2 HRC for both of them.
- Inner ring and pin are manufactured in core-hardened 100 Cr6 steel. The total-hardening steel guarantees high resistance to wear and stress; both of them reach 60-2 HRC hardness value.
- ZRS seal system, prevents outer agents, such as dust, wet and mill scale, to enter the inner part of the bearing, and at the same time it prevents the leakage of lubrication grease.
- The thrust cover is manufactured in case-hardening steel as well.
- The central pivot is made in low carbon C20/C45 steel, which guarantees high resistance and is highly suitable for welding.