

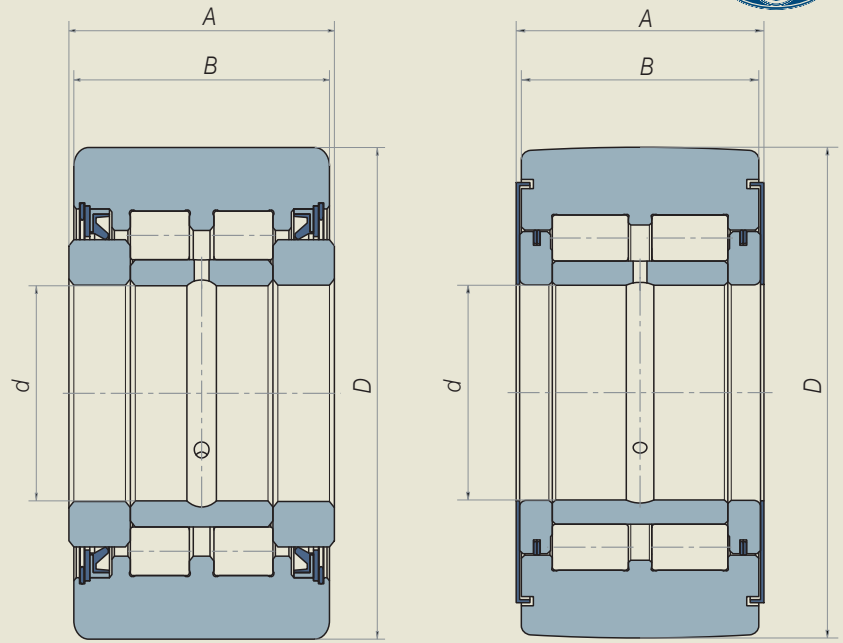
# BACK-UP ROLLERS WITHOUT PIVOT



The series of back-up rollers without pivot is manufactured with two or more full-complement-cylindrical-roller rows; they are separated by spacers with contact entirely on the outer ring.

These bearings are particularly used on machines that work continuously and in extremely tough conditions, because of their high dynamic and static load capacity.

The spacers between the rolling raceways guarantee the bearing of the axial thrusts.



Rubber Seals

Fey Seals

Part #	d	D	A	B	C	C <sub>o</sub>	C <sub>w</sub>	C <sub>ow</sub>	Max speed
	mm	mm	mm	mm	KN	KN	KN	KN	RPM min <sup>-1</sup>
900-1907	20	48	36	27	38	56	32	47	2000
900-2742	25	52	44	42	48	80	40	61	1500
900-2744	25	60	50	48	71	108	60	91	1500
900-1857	25	65	45	41	80	111	68	95	1300
900-2323	30	72	42	40	70	100	59	94	1300
200-1741	25	74	50	47	99	139	84	118	1400
900-2741	35	80	54	50	92	134	78	114	1200
200-1197	35	80	48	44	100	161	87	137	1100
200-0059	40	90	35	32	74	102	63	87	900
900-2030	40	95	55	51	124	192	107	163	1000
200-1198	50	105	60	56	189	314	162	268	900
900-2012	50	120	70	66	231	390	195	330	900
900-2011	50	130	70	66	260	365	221	310	700
200-0695	55	140	60	56	227	375	193	320	600
200-0696	70	150	63	61	287	475	245	402	600
200-0697	65	160	71	67	286	452	243	385	600
900-1966	90	180	102	98	493	1107	420	940	500
900-2008	90	200	92	88	525	890	446	756	500
900-2270/1	90	220	120	117	655	1182	556	1005	500
900-2312	120	250	124	121	878	1687	745	1433	400
900-1967	120	280	124	121	892	1665	758	1415	400

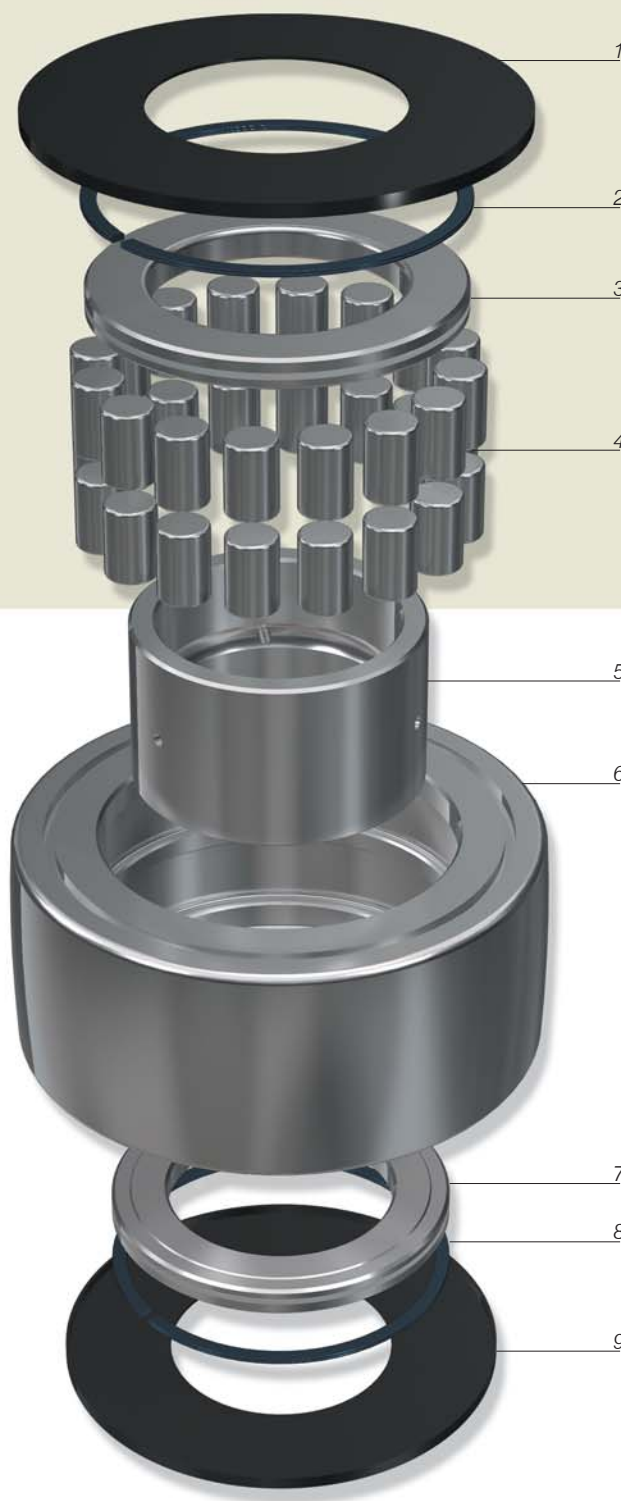
Bearing C Dynamic load C<sub>o</sub> Static load  
 Roller C<sub>w</sub> Dynamic load C<sub>ow</sub> Static load



# BACK-UP ROLLERS WITHOUT PIVOT



- 
1. SEAL SHEET
  2. FEY SEAL RING
  3. SUPPORT THRUST RING
  4. CYLINDRICAL ROLLERS
  5. INNER RING
  6. OUTER RING
  7. SUPPORT THRUST RING
  8. FEY SEAL RING
  9. SEAL SHEET
- 



Back-up rollers without pivot have the following technical characteristics:

- The inner rings and the outer rings are manufactured in UNI 100Cr6 core hardened steel, with hardness  $60 \pm 2$  HRC. The outer ring has a cambered radius on the outer diameter; this allows to improve the distribution of the loads during functioning.
- Back-up rollers with surface hardness of the outer ring reduced to  $53 \div 58$  HRC can be supplied on request.
- Inner ring with holes and grooves for the inflow of the lubricant.
- Full-complement of cylindrical rollers to ensure the highest possible load capacity.
- Double system of protection and tightness, through shields and sealing spring rings made of steel. The sealing system can be also with lip shearing rubber seals.
- The tolerances during execution are according normal class P0; special execution according class P5 (DIN 620) can be manufactured on request .
- On request, they can be manufactured in stainless steel.