

# SINGLE CYLINDRICAL BACK-UP ROLLERS (IMPERIAL)

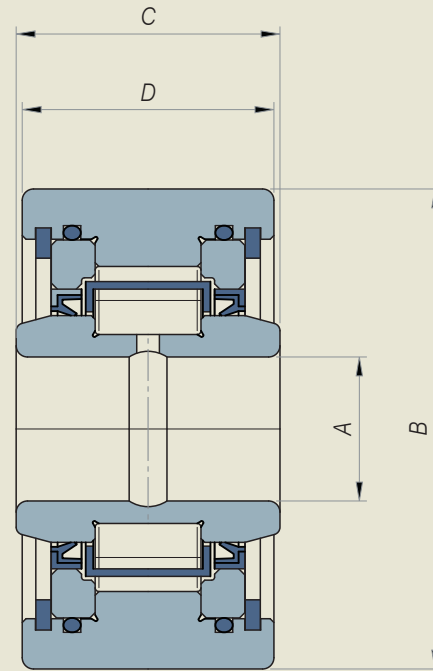


The single cylindrical back-up roller (imperial) is an extremely tough, massive bearing made of one solid outer ring which is linked to the lateral thrust rings and an inner ring from which the rolling raceway comes out.

This series can be manufactured with cages or with full-complement of cylindrical rollers.

This back up roller is particularly suitable to work with high radial loads thanks to its toughness. It maintains all its primary technical characteristics for a long flattening lifetime.

The the non-split inner ring allows the bearing to handle the axial thrusts.



Part #	A	B	C	D	C <sub>w</sub>
	mm./inch	mm./inch	mm./inch	mm./inch	Radial N/Lbf
100-0001	7.938	28.575	22.225	21.463	8970
100-0001	0.3125	1.1250	0.8750	0.8450	2016
100-0002	11.113	38.100	28.578	26.988	14340
100-0002	0.4375	1.5000	1.1251	1.0625	3240
100-0003	12.700	41.275	28.578	26.988	16500
100-0003	0.500	1.6250	1.1251	1.0625	3720
100-0004	12.700	44.450	28.578	26.988	16500
100-0004	0.500	1.7500	1.1251	1.0625	3720
100-0005	15.875	50.800	36.515	34.925	30000
100-0005	0.6250	2.0000	1.4376	1.3750	6780
100-0006	15.875	52.388	36.515	34.925	30000
100-0006	0.6250	2.0625	1.4376	1.3750	6780
100-0007	15.875	53.975	36.515	34.925	30000
100-0007	0.6250	2.1250	1.4376	1.3750	6780
100-0008	19.050	57.150	34.928	33.338	33600
100-0008	0.7500	2.2500	1.3751	1.3125	7530
100-0009	19.050	63.500	34.928	33.338	33600
100-0009	0.7500	2.5000	1.3751	1.3125	7530
100-0010	20.638	76.200	48.423	46.883	54600
100-0010	0.8125	3.0000	1.9064	1.8438	12300
100-0011	30.005	85.725	50.800	49.213	63300
100-0011	1.1813	3.3750	2.0000	1.9375	14250
100-0012	30.005	88.900	50.800	49.213	63300
100-0012	1.1813	3.5000	2.0000	1.9375	14250
100-0013	38.100	101.600	58.735	57.150	94800
100-0013	1.5000	4.0000	2.3124	2.2500	21300
100-0014	38.100	107.950	58.735	57.150	94800
100-0014	1.5000	4.2500	2.3124	2.2500	21300
100-0015	44.450	127.000	66.673	65.088	159000
100-0015	1.7500	5.0000	2.6249	2.5625	35700
100-0016	44.450	127.000	71.438	65.088	159000
100-0016	1.7500	5.0000	2.8125	2.5625	35700
100-0017	50.800	120.650	69.850	68.265	162600
100-0017	2.0000	4.7500	2.7500	2.6876	36600
100-0018	50.800	127.000	69.850	68.265	162600
100-0018	2.0000	5.0000	2.7500	2.6876	36600
100-0019	53.975	120.650	69.850	68.265	162600
100-0019	2.1250	4.7500	2.7500	2.6876	36600

Part #	A	B	C	D	C <sub>w</sub>
	mm./inch	mm./inch	mm./inch	mm./inch	Radial N/Lbf
100-0020	53.975	127.000	69.850	68.265	162600
100-0020	2.1250	5.0000	2.7500	2.6876	36600
100-0021	53.975	152.400	69.850	68.265	162600
100-0021	2.1250	6.0000	2.7500	2.6876	36600
100-0022	60.000	142.875	65.090	73.025	179700
100-0022	2.3622	5.6250	2.5626	2.8750	40500
100-0023	60.000	149.225	65.090	73.025	179700
100-0023	2.3622	5.8750	2.5626	2.8750	40500
100-0024	69.850	177.800	69.850	69.058	179700
100-0024	2.7500	7.0000	2.7500	2.7188	40500
100-0025	70.000	149.225	74.615	73.025	179700
100-0025	2.7559	5.8750	2.9376	2.8750	40500
100-0026	70.000	158.750	74.615	73.025	179700
100-0026	2.7559	6.2500	2.9376	2.8750	40500
100-0027	70.000	159.974	74.615	73.025	179700
100-0027	2.7559	6.2982	2.9376	2.8750	40500
100-0028	70.000	177.800	74.615	73.025	179700
100-0028	2.7559	7.0000	2.9376	2.8750	40500
100-0029	70.000	199.974	74.615	76.200	179700
100-0029	2.7559	7.8730	2.9376	3.0000	40500
100-0030	70.000	203.200	74.615	76.200	179700
100-0030	2.7559	8.0000	2.9376	3.0000	40500
100-0031	70.000	228.600	74.615	76.200	179700
100-0031	2.7559	9.0000	2.9376	3.0000	40500
100-0032	71.438	177.800	98.422	96.838	339000
100-0032	2.8125	7.0000	2.8749	3.8125	75900
100-0033	85.725	158.750	73.025	71.435	193800
100-0033	3.3750	6.2500	2.8750	2.8124	43500
100-0034	85.725	203.200	73.025	71.435	193800
100-0034	3.3750	8.0000	2.8750	2.8124	43500
100-0035	88.900	206.375	104.775	103.185	411000
100-0035	3.5000	8.1250	4.1250	4.0624	92100
100-0036	88.900	249.974	92.075	101.600	270900
100-0036	3.5000	9.8415	3.6250	4.0000	60900
100-0037	88.900	250.825	92.075	101.600	270900
100-0037	3.5000	9.8750	3.6250	4.0000	60900
100-0038	101.600	260.350	136.525	133.350	669000
100-0038	4.0000	10.2500	5.3750	5.2500	150300

C<sub>w</sub> Dynamic load



# SINGLE CYLINDRICAL BACK-UP ROLLERS (IMPERIAL)



- 
1. SEEGER SEAL RING
  2. ZRS SEAL RING
  3. SUPPORT THRUST RING
  4. O-RING SEAL
  5. CYLINDRICAL ROLLERS
  6. CAGE
  7. INNER RING
  8. OUTER RING
  9. O-RING SEAL
  10. SUPPORT THRUST RING
  11. ZRS SEAL RING
  12. SEEGER SEAL RING
- 

The imperial single back-up roller with cylindrical rollers has the following characteristics:

- The outer ring and the inner ring are manufactured in case hardened UNI 100Cr6/SAE 52100 steel.
- They reach hardness degree of 60+2 HRC.
- Usually, the cages are made in bronze; in some cases, when the dimensions are small, the cage can be manufactured in press-forged sheet.
- The sealing system is highly efficient, because it prevents outer agents (dust, mill scale and humidity) to enter the back-up roller; at the same time it prevents the leakage of grease. Grease lubrication is made through a groove on the inner ring.
- Precision class is P0. It can be manufactured with precision class P5, on request.
- On request, they can be manufactured in stainless steel.

