

PRESSURE ROLLS

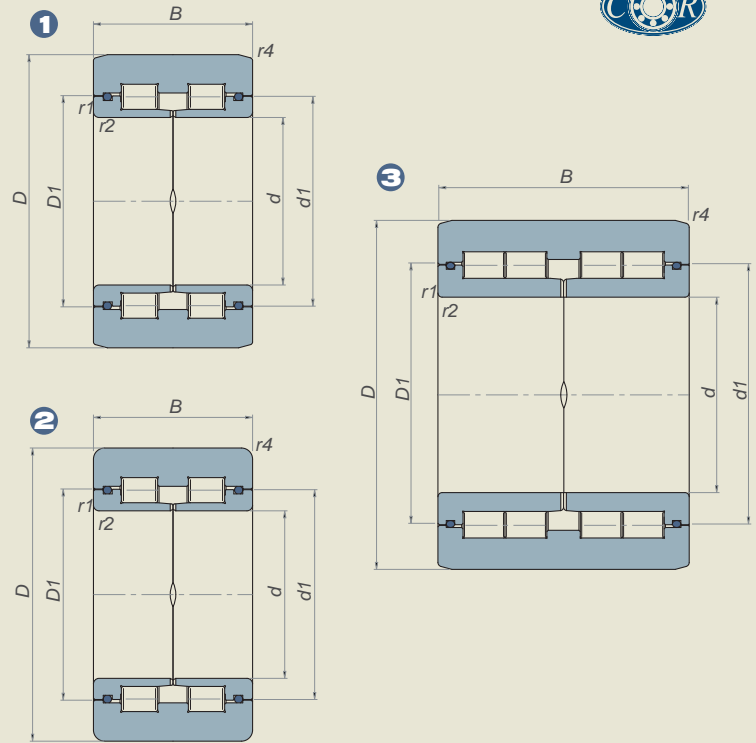


Pressure rolls are mainly used in the continuous furnaces of sintering plants. They are massive bearings ready to be fixed.

They are used with heavy loads and where the rotation reverses continuously at low speed. The outer ring has three entire shoulders, one inner section and one outer surface which is highly resistant to wear.

The inner ring is made of two parts, each one has a complete shoulder expressly developed in order to bear high axial thrusts, in addition to radial loads.

Pressure rolls do not need maintenance.



Part #	d mm	d_1 mm	D mm	D_1 mm	B mm	$r_{1,2 \text{ min.}}$ mm	$r_{3,4 \text{ min.}}$ mm	Design type	C KN	C_o KN	C_w KN	C_{ow} KN
900-2340	93	126	170	127	95	2	10x15°	1 TB2	429	655	286	390
900-3852	100	148	200	149	114	4	10x15°	1 TB2	605	1000	413	600
900-3853	105	151	215	153	87	3	3	2 TB1	501	695	358	450
900-2339	110	157	210	158	110	2	10x15°	1 TB2	402	610	255	325
900-2818	120	157	210	158	114	4	10x15°	1 TB2	550	915	330	455
900-3854	128,665	160	210	162	114	4	10x15°	1 TB2	583	1120	352	560
900-3855	140	178	250	180	110	3	11.5x17°	1	825	1400	561	850
900-3446	140	187	250	188	114	3	13.5x17°	1	825	1400	512	750
900-3856	140	187	280	188	114	3	13.5x15°	1 TB1	913	1460	671	1000
900-3857	160	195	250	197	140	3	13.5x17°	3 TB1	2120	4400	1100	1830
900-3858	160	231	320	233	120	4	13x17°	1	1140	2040	737	1140
900-3859	160	227	330	228	140	4	6.5x15°	1	1140	2040	825	1340
900-3860	180	238	330	240	125	4	6.5x15°	1	968	1930	644	1100

Bearing	C	Dynamic load	C_o	Static load
Roller	C_w	Dynamic load	C_{ow}	Static load

Notes:

TB1= bainitic temper of inner and outer ring

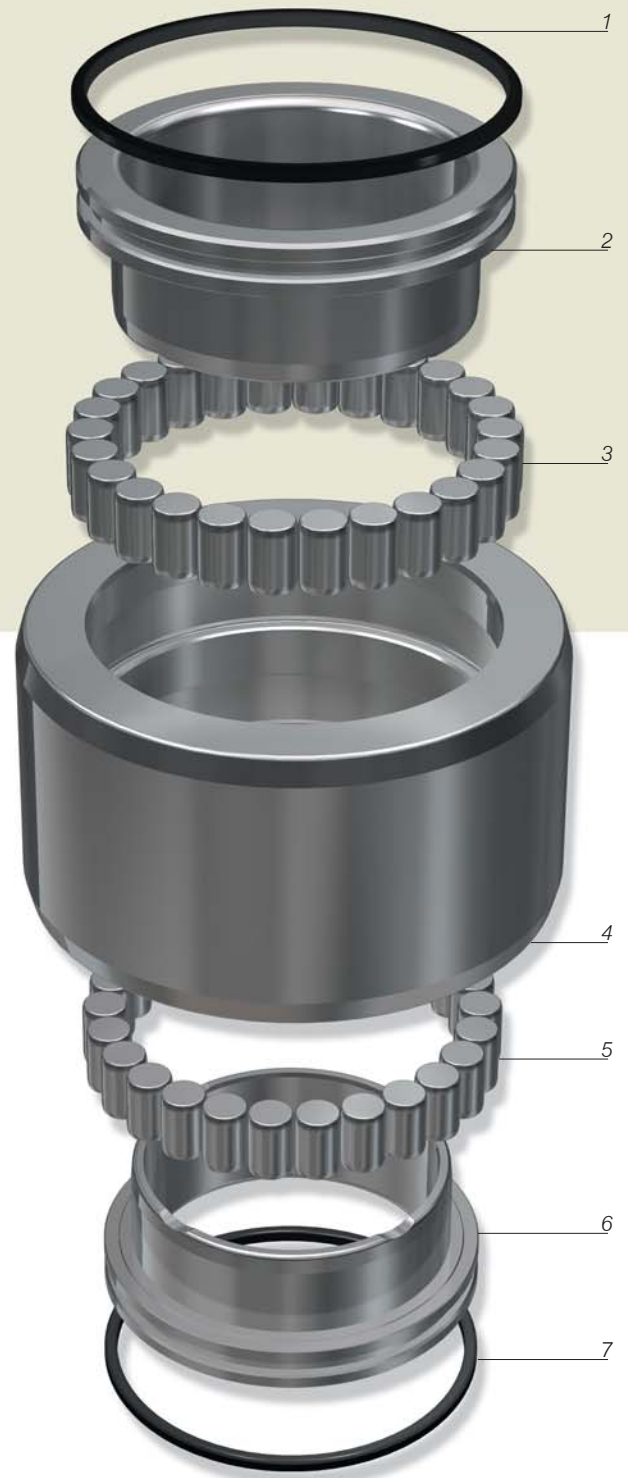
TB2= bainitic temper of outer ring



PRESSURE ROLLS



-
1. VITON O-RING
 2. INNER RING
 3. CYLINDRICAL ROLLERS
 4. OUTER RING
 5. CYLINDRICAL ROLLERS
 6. INNER RING
 7. VITON O-RING
-



C.R. pressure rolls have the following technical characteristics:

- The outer ring and the inner ring are manufactured in core-hardened UNI 100CrMo7 steel.
- This type of steel guarantees an excellent distribution of core-hardening.
- The degree of hardness is 60-2 HRC.
- In order to increase the resistance to wear – due to high load and contamination of outer agents – pressure rolls usually undergo bainitic temper treatment with the following suffixes: TB1 means bainitic temper of both rings, TB2 means bainitic temper only of the outer ring.
- Pressure rolls usually work at high temperatures, therefore they undergo stabilization treatment up to 250° C, named S2.
- The sealing system foresees the presence of Viton O-rings, which are inserted in the proper grooves on the inner ring. The seals allow the bearing to be disassembled, they prevent the entrance of contaminating agents and in the meantime, the leakage of lubricant.