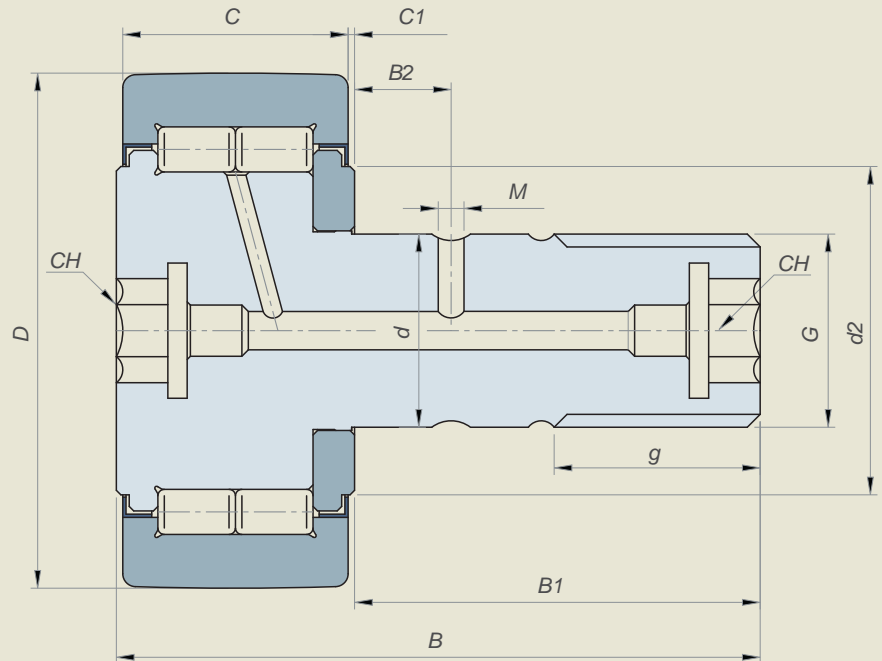


NUKR CAM FOLLOWERS

The main characteristic of this series of rollers is the high thickness of the outer ring, which is suitable to bear specific high pressures and the impacts that characterize the use of these bearings (ex. cam followers).



Part #	D	d	C	r min.	B	B ₁	B ₂	G	g	M	C1	d2	CH	C _w	C _{ow}	Max. speed	Nut locking couple
	mm	mm	mm	mm	mm	mm	mm	mm	mm	mm	mm	mm	mm	KN	KN	RPM	Nm
STOCK ITEM NUKR 35	35	16	18	0,6	52	32,5	7,8	M16x1,5	17	3	0,8	20	8	15	16,8	6500	58
STOCK ITEM NUKR 40	40	18	20	1	58	36,5	8	M18x1,5	19	3	0,8	22	8	18,4	22,6	5500	87
STOCK ITEM NUKR 47	47	20	24	1	66	40,5	9	M20x1,5	21	4	0,8	27	10	28	35	4200	120
STOCK ITEM NUKR 52	52	20	24	1	66	40,5	9	M20x1,5	21	4	0,8	31	10	29	37,5	3400	120
STOCK ITEM NUKR 62	62	24	28	1	80	49,5	11	M24x1,5	25	4	1,3	38	14	40	50	2600	220
STOCK ITEM NUKR 72	72	24	28	1,1	80	49,5	11	M24x1,5	25	4	1,3	44	14	44,5	60	2100	220
STOCK ITEM NUKR 85	80	30	35	1,1	100	63	15	M30x1,5	32	4	1	47	14	67	93	1800	450
STOCK ITEM NUKR 90	90	30	35	1,1	100	63	15	M30x1,5	32	4	1	47	14	79	117	1800	450

Pressure greaser	NIP A2x7,5	NUKR 35 - NUKR 40 - NUKR 47 - NUKR 52
	NIP A3x9,5	NUKR 62 - NUKR 72 - NUKR 85 - NUKR 90

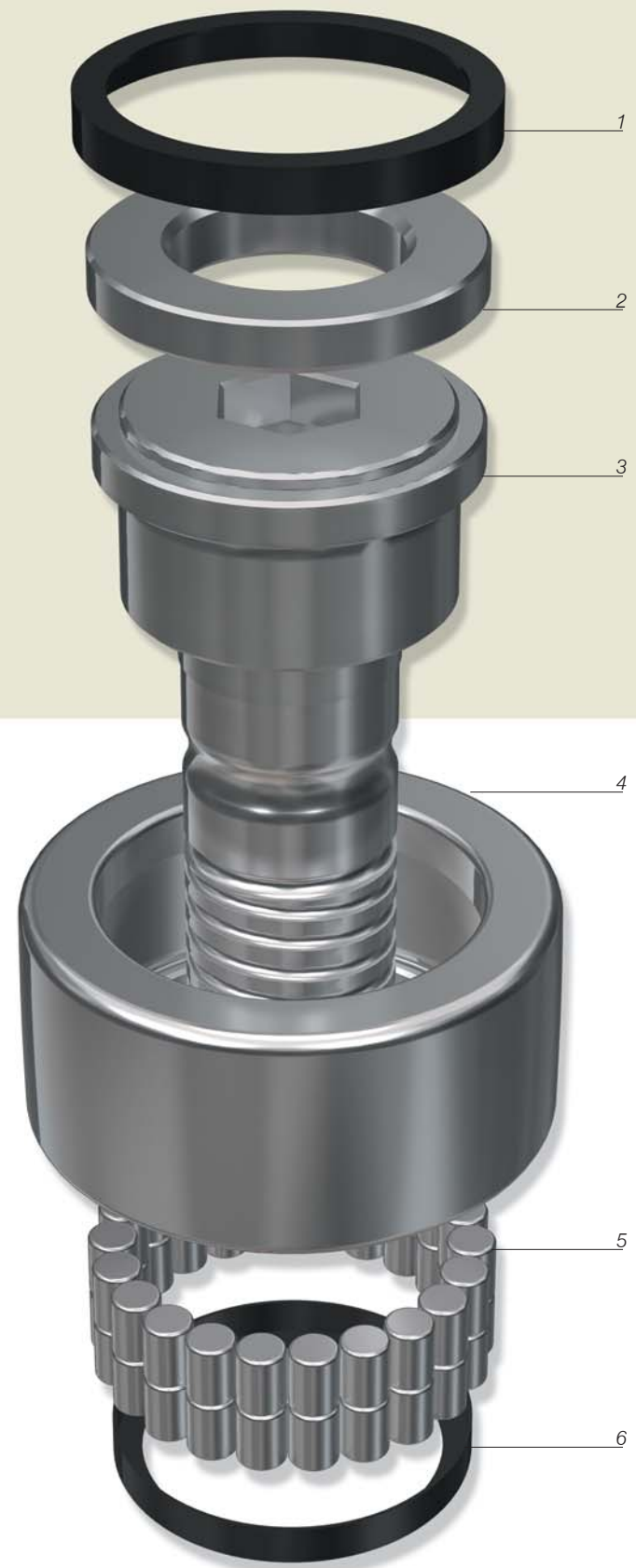
Adaptor for central lubrication	AP8	NUKR 35 - NUKR 40
	AP10	NUKR 47 - NUKR 52
	AP14	NUKR 62 - NUKR 72 - NUKR 85 - NUKR 90

C _w Dynamic load	C _{ow} Static load
-----------------------------	-----------------------------



NUKR CAM FOLLOWERS

-
1. SEAL SHEET
 2. SUPPORT THRUST RING
 3. PIVOT
 4. OUTER RING
 5. CYLINDRICAL ROLLERS
 6. SEAL SHEET
-



Other important features of these bearings are:

- Outer ring with double border of the rollers obtained entirely on the outer ring and accurately grinded to allow the roller to bear loads with axial components. The ring is usually cambered on the outer part, in order to improve working condition with heavy loads and to prevent the concentration of load onto side bands of the raceway. Rollers with cylindrical outer surface can be supplied on request.
- Pivot with threaded shank, one guide border of rollers obtained entirely and tempered rolling raceway. On the front part, a seat for hexagon wrench or for corkscrew (on request) can be foreseen.
- Sealing steel sheets forced on the outer diameter to form a safe labyrinth protection system.
- Full complement of grinded flat-head cylindrical rollers.
- Lubrication channels and holes in the pivot.